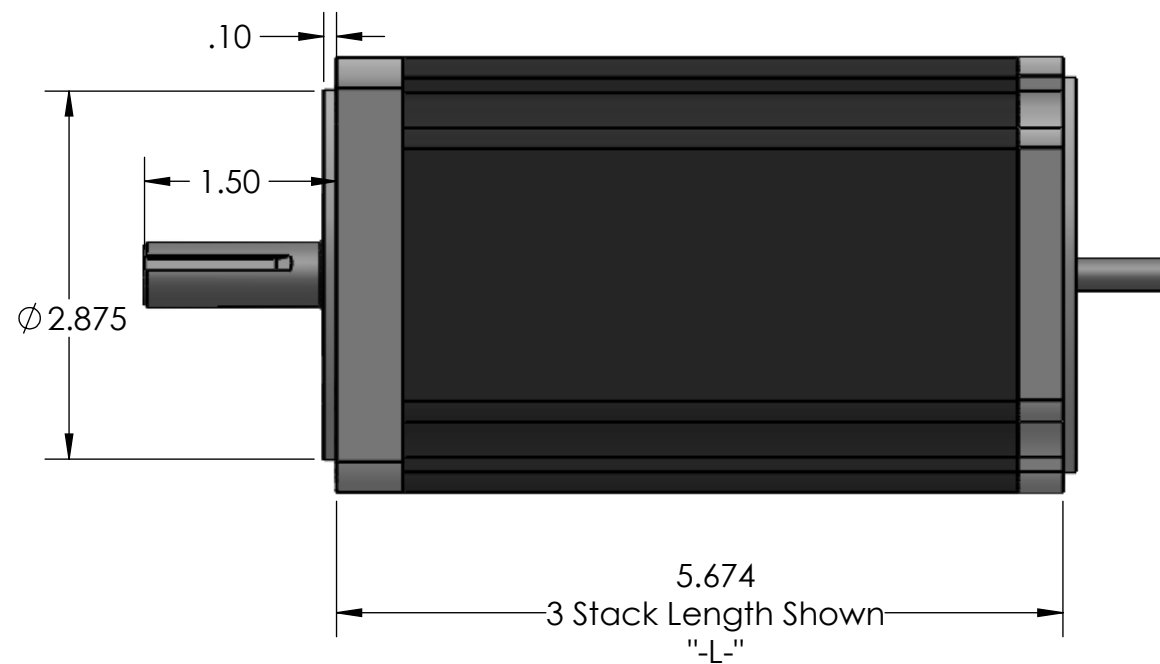
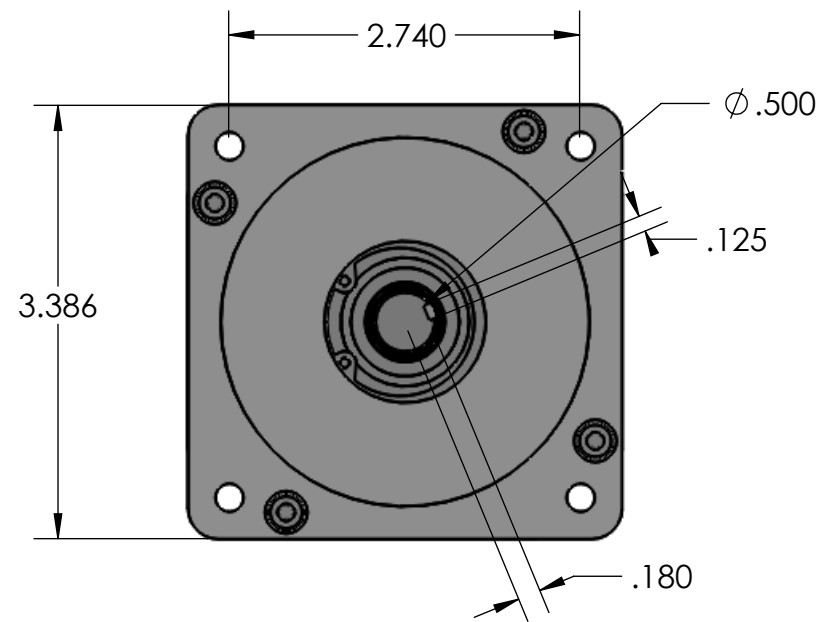
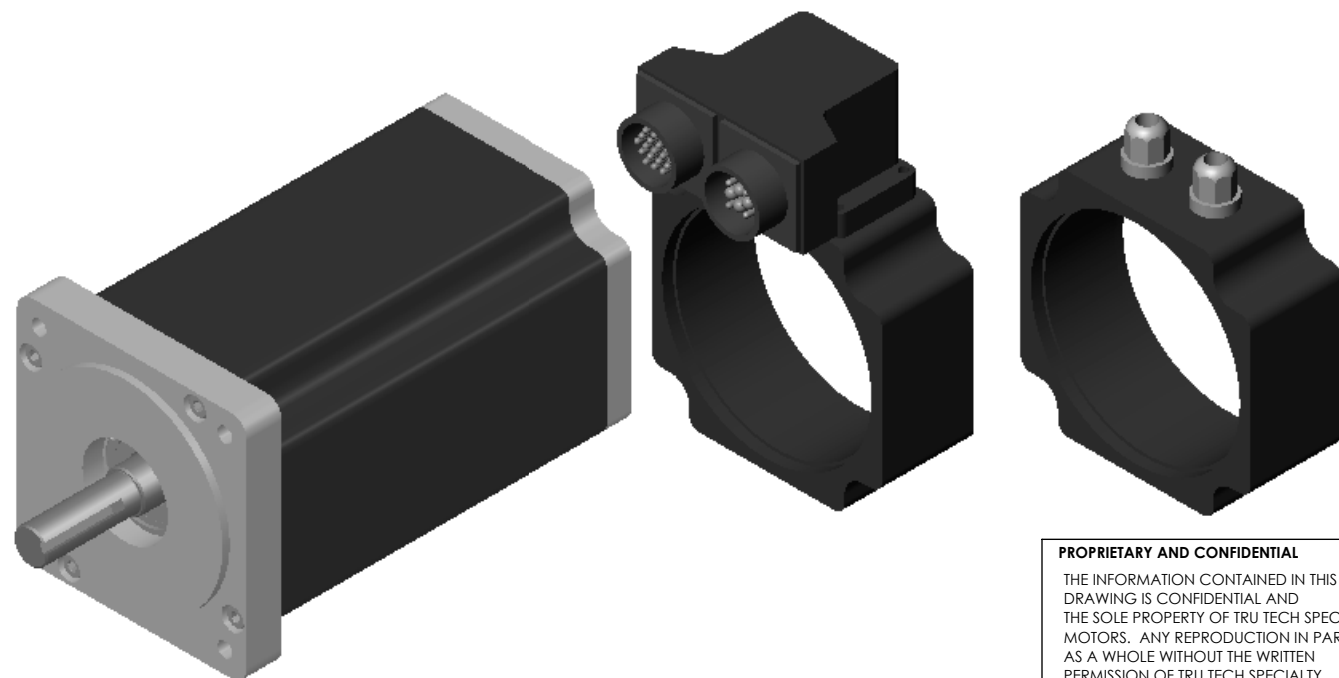
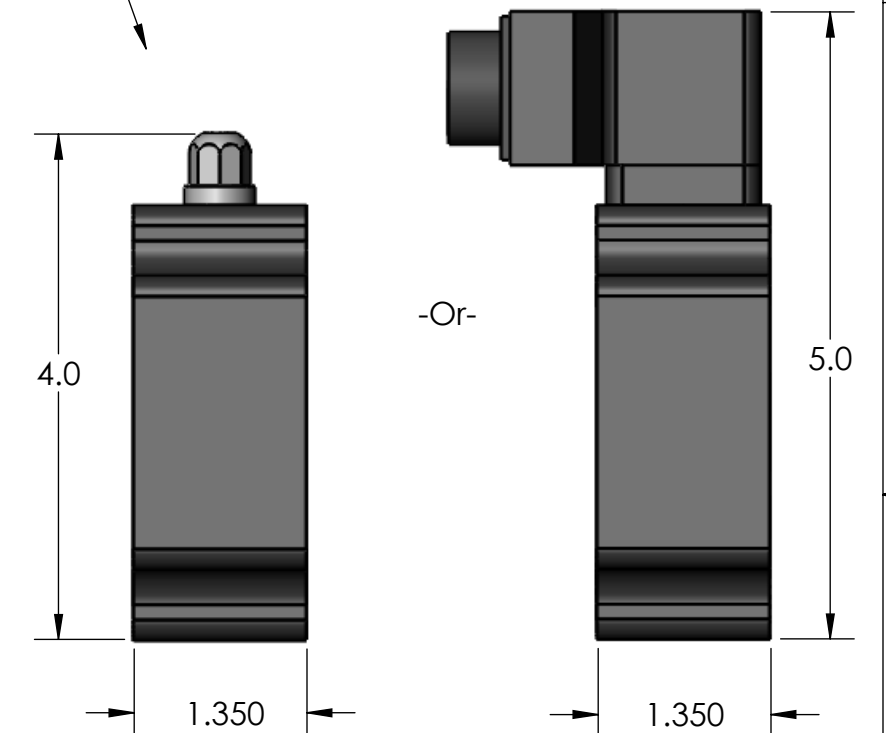


Motor Length	
Stack Size	"-L-" ±0.01
1 Stack	3.312
2 Stack	4.493
3 Stack	5.674
4 Stack	6.855



Optional Feedback Connection:
Flying leads with Cable Gland Strain Relife
Military Connection with Solid "Doghouse"



PROPRIETARY AND CONFIDENTIAL
THE INFORMATION CONTAINED IN THIS DRAWING IS CONFIDENTIAL AND THE SOLE PROPERTY OF TRU TECH SPECIALTY MOTORS. ANY REPRODUCTION IN PART OR AS A WHOLE WITHOUT THE WRITTEN PERMISSION OF TRU TECH SPECIALTY MOTORS IS PROHIBITED.

DATE	Revision	UNLESS OTHERWISE SPECIFIED:		<i>TruTech Specialty Motors</i>		
		DIMENSIONS: INCHES [Millimeters]		DRAWN	NAME	DATE
		TOLERANCES:		CHECKED		
		ANGULAR: ±1/2°		ENG APPR.		
		TWO PLACE DECIMAL ±.01 [.25]		COMMENTS:		
		THREE PLACE DECIMAL ±.005 [.13]				
		Status:				
		Approval				
		Production Level:				
		Reference Part No:				
		Project:				
				TITLE:		
				M086 Motor Class		
				SIZE	Assembly. NO.	REV
				B		PX
				SCALE: 2:3		SHEET 1 OF 1