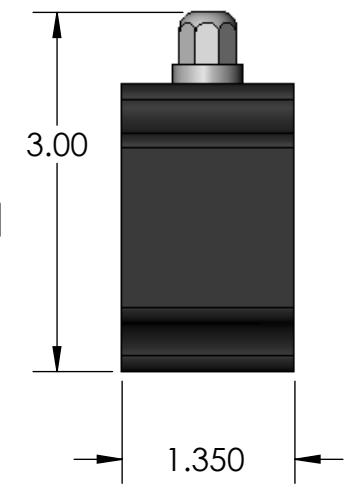
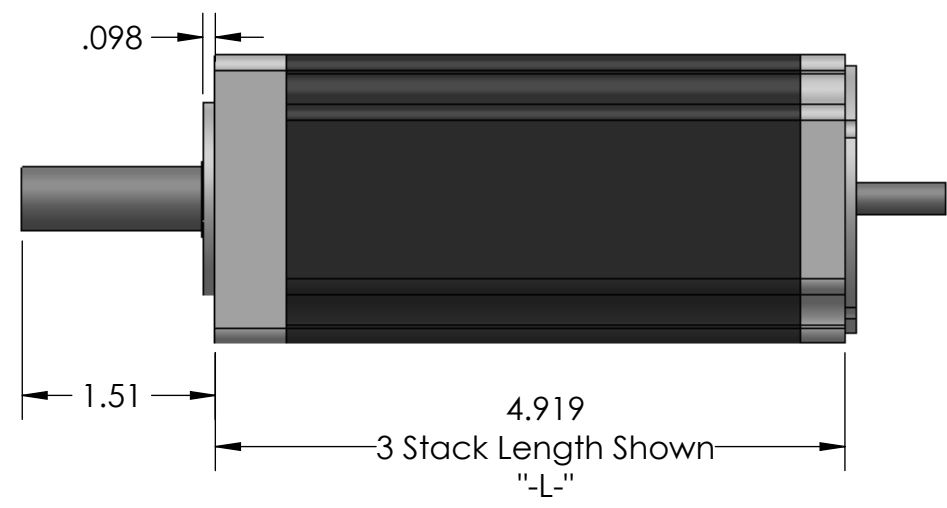
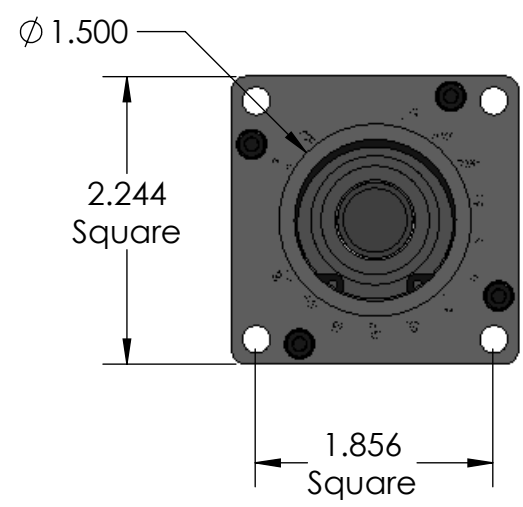
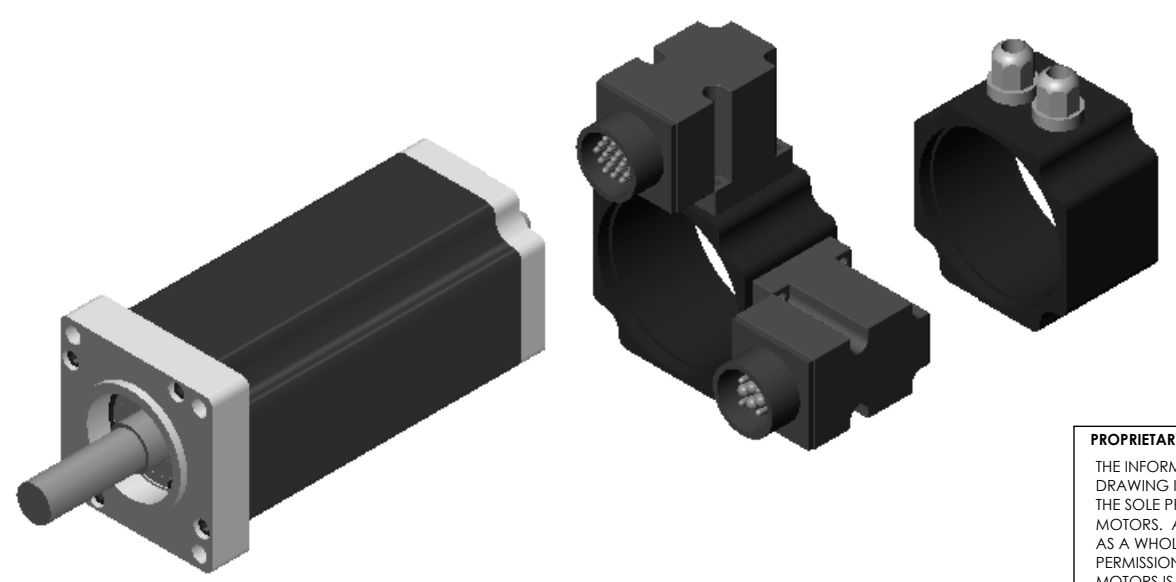
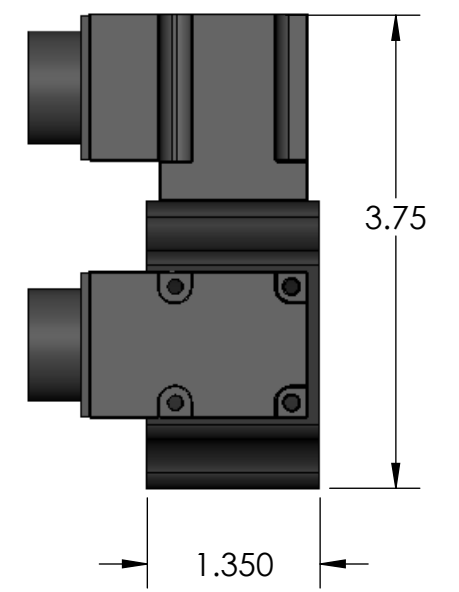


Motor Length	
Stack Size	"-L-"
1 Stack	2.950
2 Stack	3.934
3 Stack	4.919
4 Stack	5.903

Optional Feedback Connection:  
Flying Leads with Cable Gland Stain Relief  
Military Connection with Solid "Doghouse"



-Or-



**PROPRIETARY AND CONFIDENTIAL**  
THE INFORMATION CONTAINED IN THIS DRAWING IS CONFIDENTIAL AND THE SOLE PROPERTY OF TRU TECH SPECIALTY MOTORS. ANY REPRODUCTION IN PART OR AS A WHOLE WITHOUT THE WRITTEN PERMISSION OF TRU TECH SPECIALTY MOTORS IS PROHIBITED.

DATE	Revision	UNLESS OTHERWISE SPECIFIED:	<i>TruTech Specialty Motors</i>		
		DIMENSIONS: INCHES [Millimeters]		NAME	DATE
		TOLERANCES:	DRAWN		
		ANGULAR: ±1/2°	CHECKED		
		TWO PLACE DECIMAL ±.01 [.25]	ENG APPR.		
		THREE PLACE DECIMAL ±.005 [.13]	COMMENTS:		
		Status:	Approval		
		Production Level:			
		Reference Part No:			
		Project:			
			TITLE:		MT057 Motor Class
			SIZE	Sub Assembly. NO.	REV
			<b>B</b>		<b>PX</b>
			SCALE: 2:3	SHEET 1 OF 1	