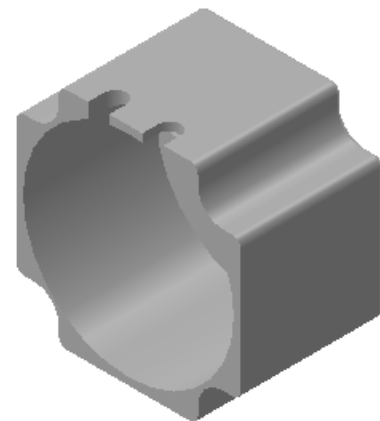
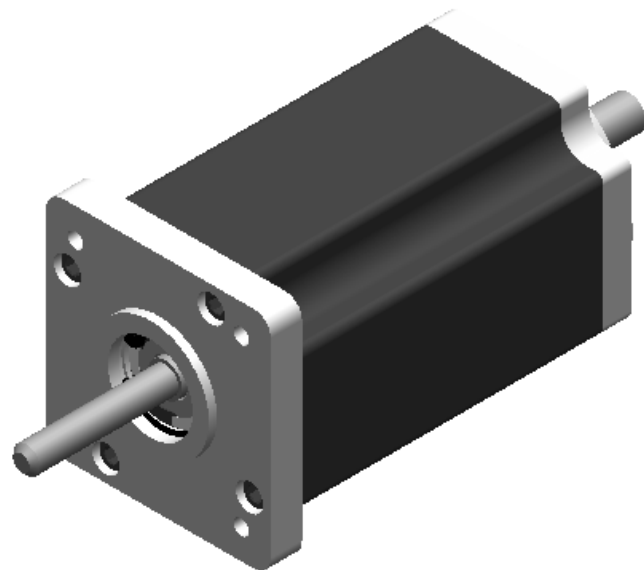
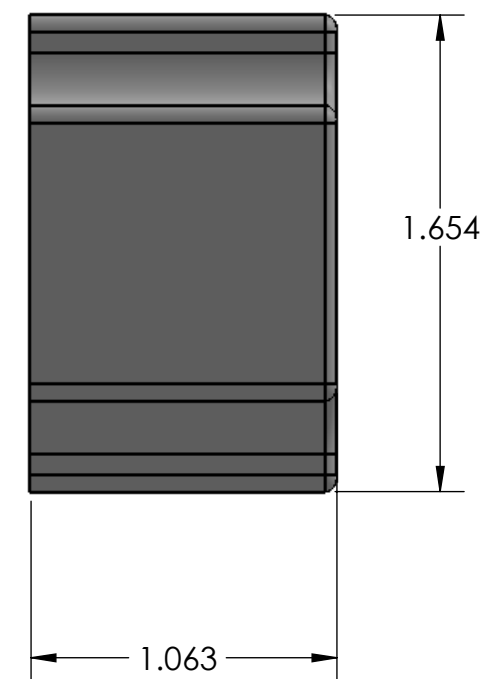
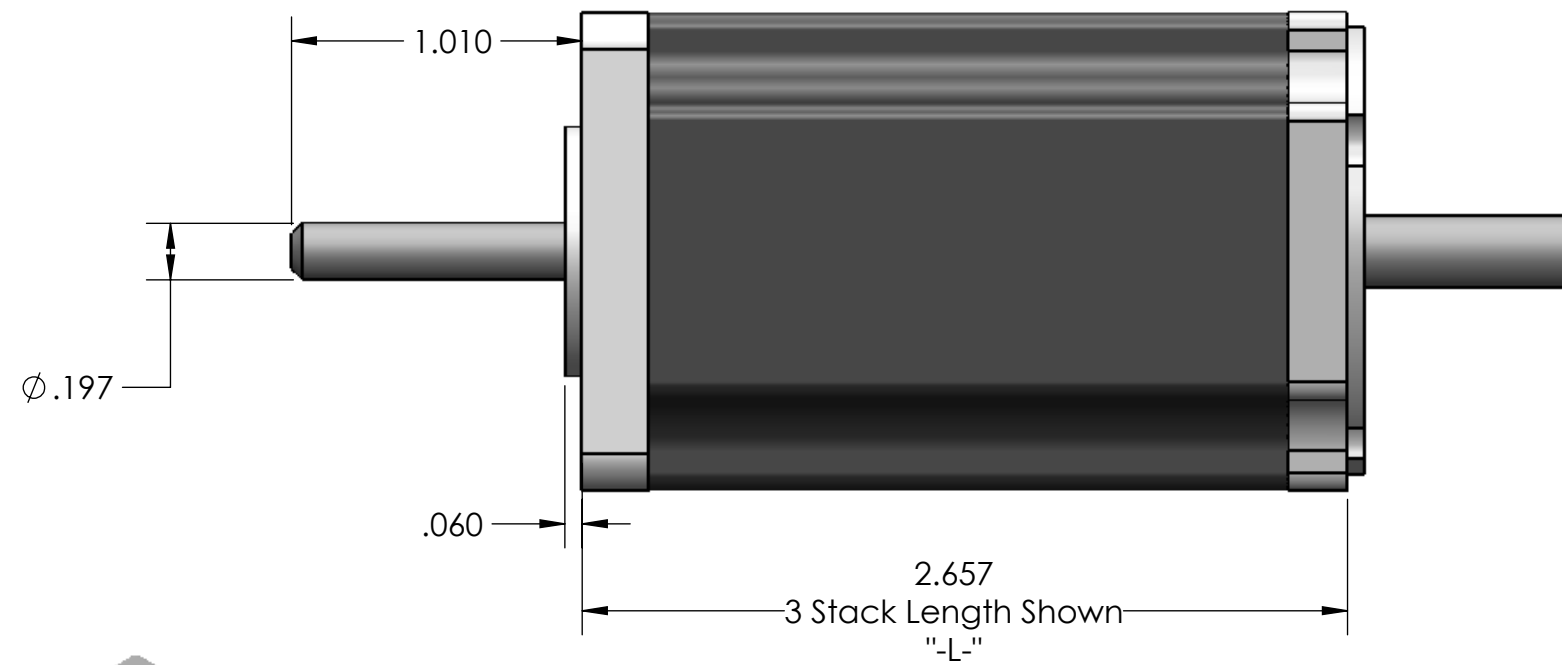
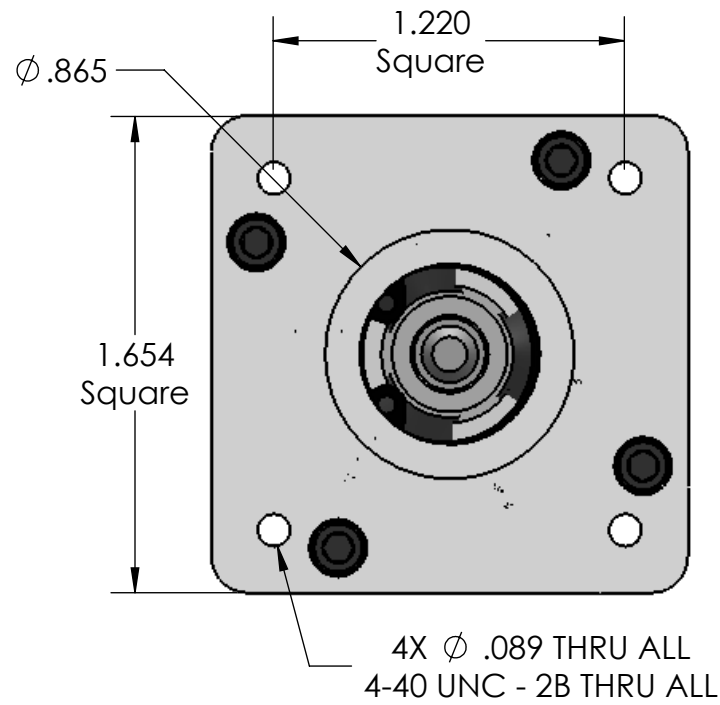


Motor Length	
Stack Size	"-L-"
1 Stack	1.907
2 Stack	2.282
3 Stack	2.657
4 Stack	3.032
5 Stack	3.407



PROPRIETARY AND CONFIDENTIAL
THE INFORMATION CONTAINED IN THIS DRAWING IS CONFIDENTIAL AND THE SOLE PROPERTY OF TRU TECH SPECIALTY MOTORS. ANY REPRODUCTION IN PART OR AS A WHOLE WITHOUT THE WRITTEN PERMISSION OF TRU TECH SPECIALTY MOTORS IS PROHIBITED.

DATE	Revision	UNLESS OTHERWISE SPECIFIED:		<i>TruTech Specialty Motors</i>		
		DIMENSIONS: INCHES [Millimeters]		DRAWN	NAME	DATE
		TOLERANCES:		CHECKED	Brandon	
		ANGULAR: ±1/2°		ENG APPR.		
		TWO PLACE DECIMAL ±.01 [.25]		COMMENTS:		
		THREE PLACE DECIMAL ±.005 [.13]				
		Status:				
		Approval				
		Production Level:				
		Prototype				
		Reference Part No:				
		Project:				
				TITLE:		
				M040 Motor Class		
				SIZE	Sub Assembly. NO.	REV
				B		PX
				SCALE: 3:2		SHEET 1 OF 1